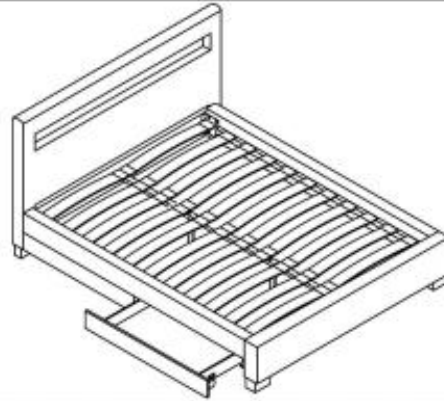


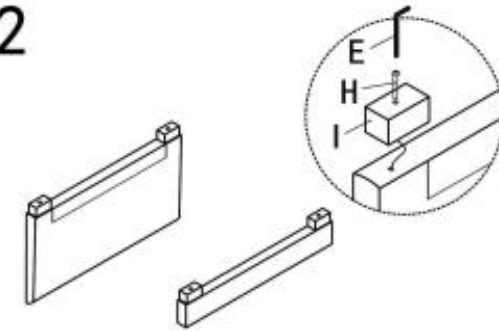
CLARETA

A x1	B x1	
C x2	D x1	
E x1	F x2	
G x30 (8*20)	H x14 (8*50)	
I x4	J x12	
K x24	L x24	
M x8	N x4	
O x4	P x4	
Q x48 (3.5*15)	R x16	
S x32	T x32	
U x8 (8*35)	V x1	
W x1	X x1	bx8
Y x4	Z x2	ax2

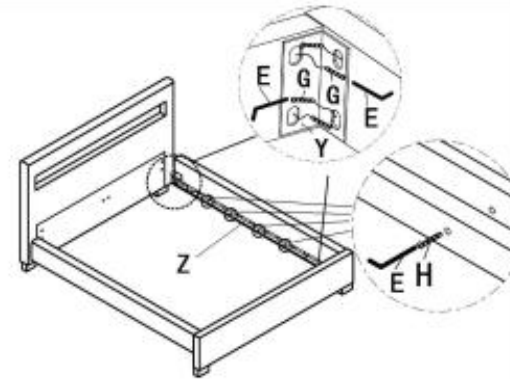
1



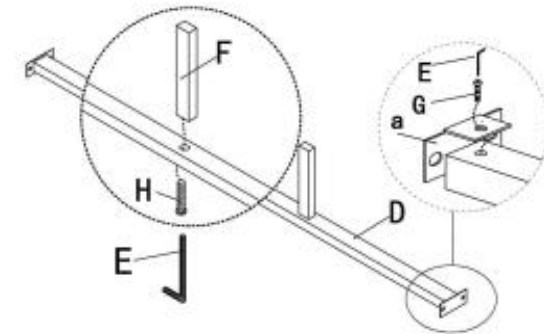
2



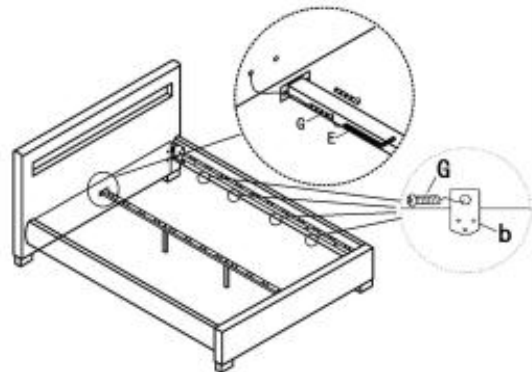
3



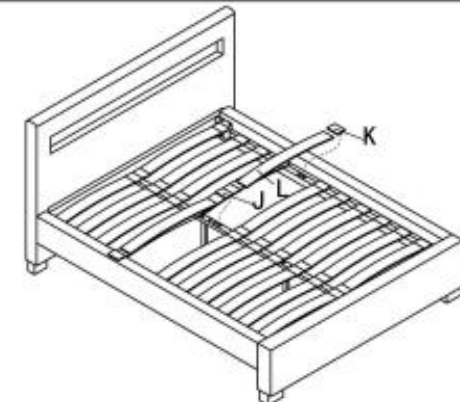
4



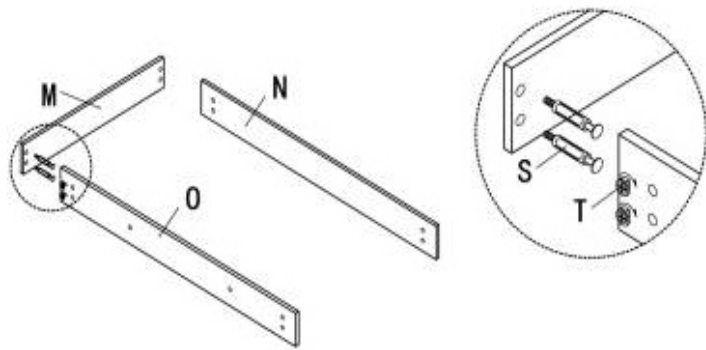
5



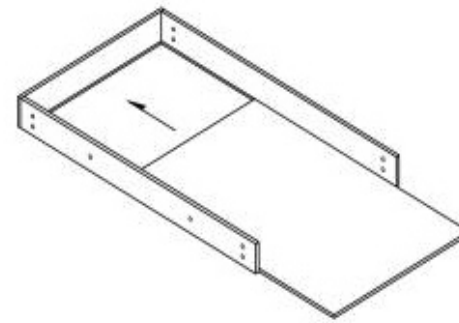
6



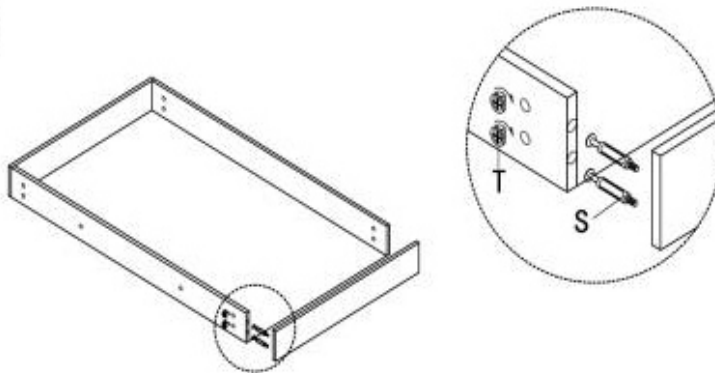
7



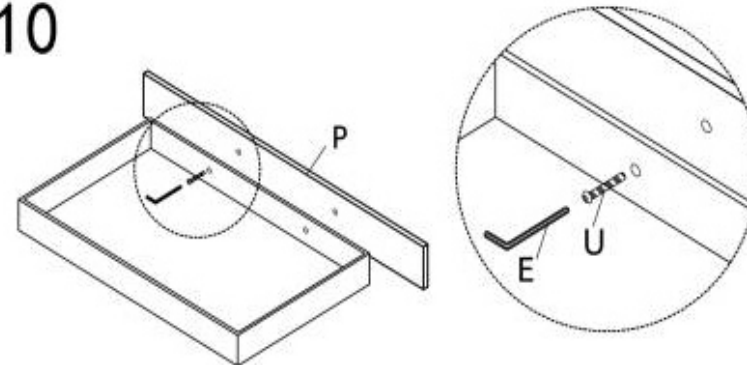
8



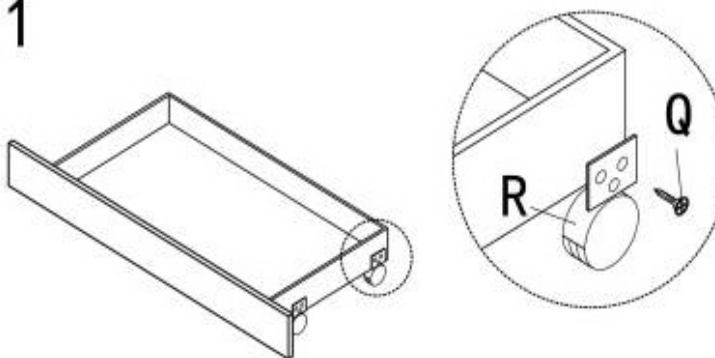
9



10



11



12

